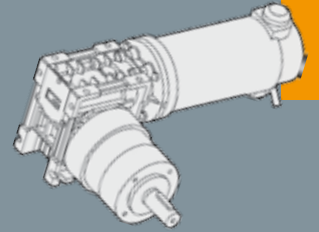


TRANSTECNOTM
THE MODULAR GEARMOTOR

ECWMP

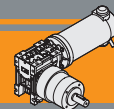
ECWMP



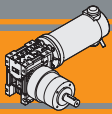
MOTORIDUTTORI C.C. COMBINATI

PERMANENT MAGNETS D.C. COMBINATION GEARMOTORS





Indice	Index	Pag. Page
Caratteristiche tecniche	<i>Technical features</i>	M2
Designazione	<i>Designation</i>	M2
Versioni	<i>Versions</i>	M2
Simbologia	<i>Symbols</i>	M2
Lubrificazione	<i>Lubrication</i>	M2
Carichi radiali	<i>Radial loads</i>	M3
Rapporti	<i>Ratios</i>	M3
Rendimento	<i>Efficiency</i>	M3
Dati tecnici	<i>Technical data</i>	M4
Dimensioni	<i>Dimensions</i>	M5
Opzioni	<i>Options</i>	M10



Caratteristiche tecniche

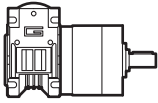
Technical features

L'accoppiamento di un riduttore a vite senza fine con un riduttore epicicloidale consente di ottenere elevati rapporti di riduzione ($i_{max} = 1/18452$) e di disporre di un gruppo autolubrificato compatto, silenzioso e con un'elevata affidabilità.

The coupling of a wormgearbox to a planetary gearbox allows to obtain high reduction ratios ($i_{max} = 1/18452$) and to get a compact, silent, self lubricated with high reliability group.

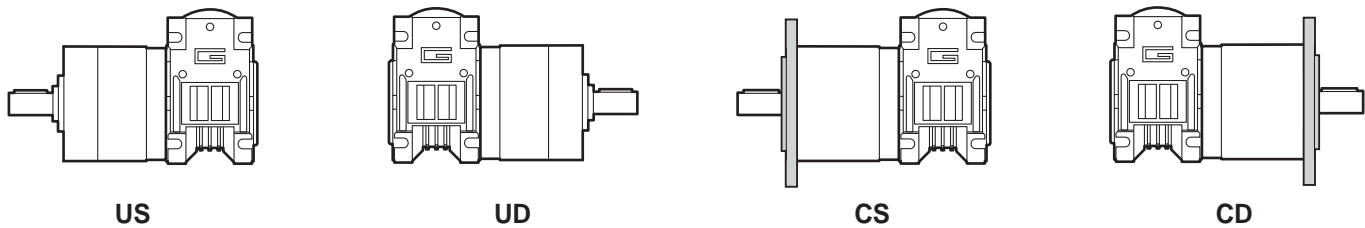
Designazione

Designation

MOTORIDUTTORE / GEARMOTOR										
ECWMP	070/026/52				2	CD	90	405	240	VS
Tipo Type	Grandezza Size				Numero stadi epicicloidale Planetary stages number	Versione Riduttore Gearbox Version	Flangia Uscita Output flange	Rapporto Ratio	Versione Motore Motor Version	Opzioni Options
	070/026/52	100/026/52	180/026/52	350/030/81	1	US	80	Vedere tabella See tables	120	VS
	070/026/62	100/026/62	180/026/62		2	UD	90		240	
	070/030/81	100/030/81	180/030/81		3	CS	105		24E	
						CD	120			

Versioni

Versions



Simbologia

Symbols

n_1	[min ⁻¹]	Velocità in ingresso / Input speed
n_2	[min ⁻¹]	Velocità in uscita / Output speed
i		Rapporto di riduzione / Ratio
P_1	[kW]	Potenza in entrata / Input power
M_n	[Nm]	Coppia nominale in uscita del riduttore / Maximum output torque of the gearbox
M_2	[Nm]	Coppia in uscita in funzione di P_1 / Output torque referred to P_1
sf		Fattore di servizio / Service factor
R_d	%	Rendimento dinamico / Dynamic efficiency
A_2	[N]	Carico assiale ammissibile in uscita / Permitted output axial load
R_2	[N]	Carico radiale ammissibile in uscita / Permitted output radial load

Lubrificazione

Lubrication

I riduttori a vite senza fine della serie CM sono lubrificati a vita con olio sintetico di viscosità 320 e possono essere installati in qualunque posizione di montaggio.

Permanent synthetic oil long-life lubrication allow to use CM wormgearbox range in all mounting position.

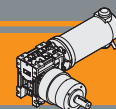
I riduttori epicicloidali sono lubrificati in modo permanente, non richiedono quindi ulteriore manutenzione.

Planetary gearboxes are life-time lubricated with grease, therefore they are maintenance free.

Questo gli consente di essere installati praticamente ovunque. La temperatura di funzionamento consentita va da -30°C a +140°C; per applicazioni particolari possono essere adottate misure per raggiungere livelli di temperatura maggiori.

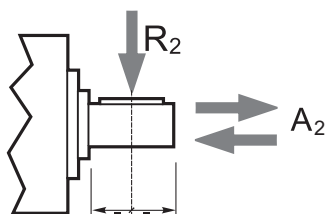
They can be installed in any location.

The temperature range is from -30°C up to +140°C; for special applications, measures can be taken for higher temperature range.



Carichi radiali

Radial loads



Numero di stadi Stages number	Carichi Radiali R ₂ [N] Radial Load R ₂ [N]		
	P52	P62	P81
1	200	240	400
2	320	360	600
3	450	520	1000

Numero di stadi Stages number	Carichi Assiali A ₂ [N] Axial Load A ₂ [N]		
	P52	P62	P81
1	60	70	80
2	100	100	120
3	150	150	200

Rapporti

Ratios

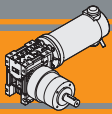
Motoriduttore Gearmotor	Numero stadi epicicloidale Planetary stages number	Rapporto epicicloidale Planetary ratio	Rapporto vite senza fine Wormgearbox ratio	Rapporto finale Total ratio
.../026/052 .../026/062 .../030/081	1	6.75	10	67.5
			15	101.3
			20	135
			30	202.5
			40	270
			50	337.5
	2	28.93	10	289.3
			15	434.0
			20	578.6
			30	867.9
			40	1157
			50	1447
			60	1736
			60	2098
	34.97	60	2098	
	45.56	60	2734	

Rendimento

Efficiency

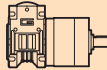
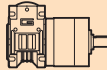
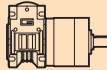
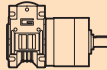
Motoriduttore Gearmotor	n ₁ [min ⁻¹]	Rendimento Efficiency	Rapporto / Ratio															
			67.5	101.3	135	202.5	270	337.5	405	289.3	434.0	578.6	867.9	1157	1447	1736	2098	2734
.../026/052	2800	Rd %	68	66	64	58	54	51	48	64	62	60	54	51	48	45	45	45
.../026/062			68	66	64	58	54	51	48	64	62	60	54	51	48	45	45	45
.../030/081			68	67	64	59	56	52	49	64	63	60	55	52	48	46	46	46

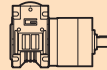
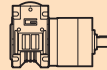
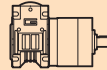
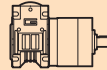
Rendimento teorico del riduttore dopo il rodaggio
Theoretical efficiency of the gearbox after the first running period

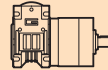
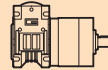


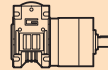
Dati tecnici per servizio S2

Technical data for S2 duty

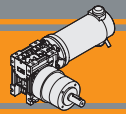
P_1 [W]	n_2 [min ⁻¹]	M_2 [Nm]	sf	i		Versione motore Motor version	
100							
(3000 min ⁻¹)	44.4	14	1.8	67.5		070/026/521 120/240	
	29.6	21	1.2	101.3			
	22.2	25	1.0	135.0			
	14.8	25	1.0	202.5			
	11.1	25	1.0	270.0			
	10.4	25	1.0	289.3			070/026/522 120/240
	8.9	25	1.0	337.5			070/026/521 120/240
	7.4	25	1.0	405			
	6.9	25	1.0	434			070/026/522 120/240
	5.2	25	1.0	579			
	3.5	25	1.0	868			
	2.6	25	1.0	1157			
	2.1	25	1.0	1447			
	1.7	25	1.0	1736			
	1.4	25	1.0	2098			
	1.1	25	1.0	2734			
	44.4	14	2.8	67.5		070/026/621 120/240	
	29.6	21	1.9	101.3			
	22.2	27	1.5	135.0			
	14.8	37	1.1	202.5			
	11.1	40	1.0	270.0			
	10.4	50	1.0	289.3			070/026/622 120/240
	8.9	40	1.0	337.5			070/026/621 120/240
	7.4	40	1.0	405.0			
	6.9	50	1.0	434.0			070/026/622 120/240
	5.2	50	1.0	578.6			
	3.5	50	1.0	867.9			
	2.6	50	1.0	1157			
	2.1	50	1.0	1447			
	1.7	50	1.0	1736			
	1.4	50	1.0	2098			
	1.1	50	1.0	2734			
	44.4	14	5.6	67.5		070/030/811 120/240	
	29.6	21	3.8	101.3			
	22.2	27	2.9	135.0			
	14.8	37	2.2	202.5			
	11.1	47	1.7	270.0			
	10.4	58	2.1	289.3			070/030/812 120/240
	8.9	54	1.5	337.5			070/030/811 120/240
	7.4	62	1.3	405.0			
	6.9	85	1.4	434.0			070/030/812 120/240
	5.2	109	1.1	578.6			
	3.5	120	1.0	867.9			
	2.6	120	1.0	1157			
	2.1	120	1.0	1447			
	1.7	120	1.0	1736			
	1.4	120	1.0	2098			
	1.1	120	1.0	2734			

P_1 [W]	n_2 [min ⁻¹]	M_2 [Nm]	sf	i		Versione motore Motor version
140						
(3000 min ⁻¹)	44.4	20	1.3	67.5		100/026/521 120/240/24E
	29.6	25	1.0	101.3		
	44.4	20	2.0	67.5		100/026/621 120/240/24E
	29.6	29	1.4	101.3		
	22.2	37	1.1	135.0		
	14.8	40	1.0	202.5		
	10.4	80	1.5	289.3		
	44.4	20	4.0	67.5		100/030/811 120/240/24E
	29.6	29	2.7	101.3		
	22.2	38	2.1	135.0		
	14.8	52	1.6	202.5		
	11.1	65	1.2	270.0		
	10.4	80	1.5	289.3	100/030/812 120/240/24E	
	8.9	75	1.1	337.5	100/030/811 120/240/24E	
	7.4	80	1.0	405.0		
	6.9	120	1.0	434.0	100/030/812 120/240/24E	
	5.2	120	1.0	578.6		

250							
(3000 min ⁻¹)	44.4	25	1.0	67.5		180/026/521 120/240	
	44.4	37	1.1	67.5			180/026/621 120/240
	29.6	40	1.0	101.3			
	22.2	40	1.0	135.0			
	44.4	37	2.2	67.5		180/030/811 120/240/24E	
	29.6	54	1.5	101.3			
	22.2	70	1.1	135.0			
	14.8	80	1.0	202.5			
	11.1	80	1.0	270.0			
	10.4	120	1.0	289.3	180/030/812 120/240/24E		
	8.9	80	1.0	337.5	180/030/811 120/240/24E		

500						
(3000 min ⁻¹)	44.4	73	1.1	67.5		350/030/811 120/240
	29.6	80	1.0	101.3		
	22.2	80	1.0	135.0		

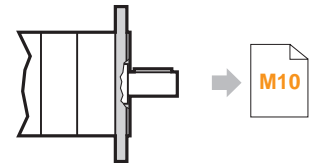
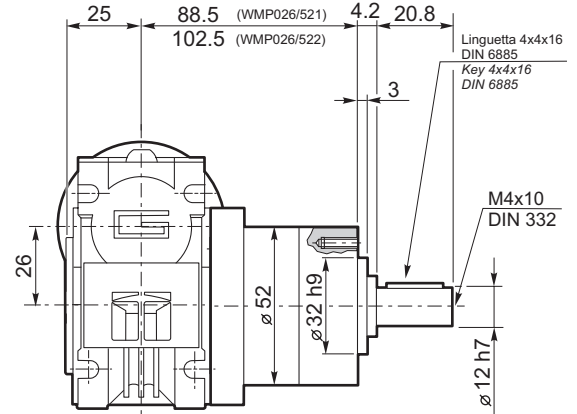
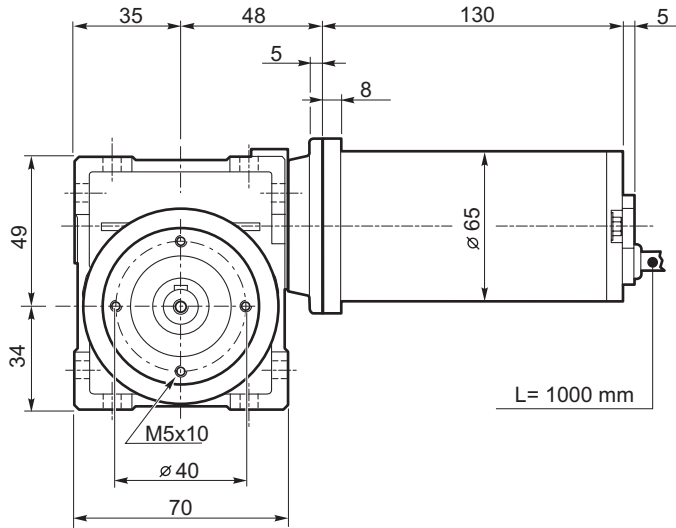
Nota: Verificare sempre che la coppia M_2 utilizzata non ecceda il valore indicato nelle caselle in grigio
Note: Please check that the output torque M_2 does not exceed the value into the grey areas



Dimensioni

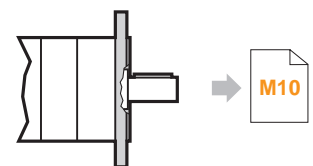
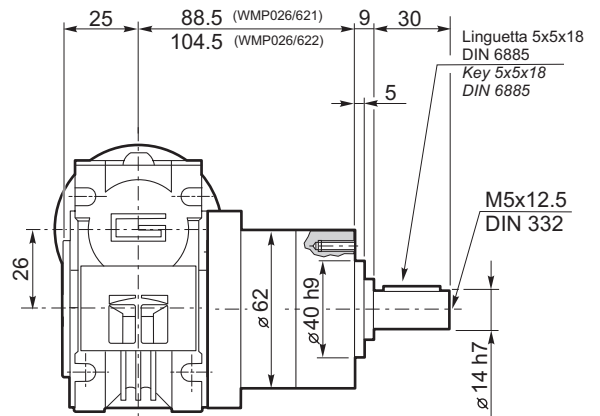
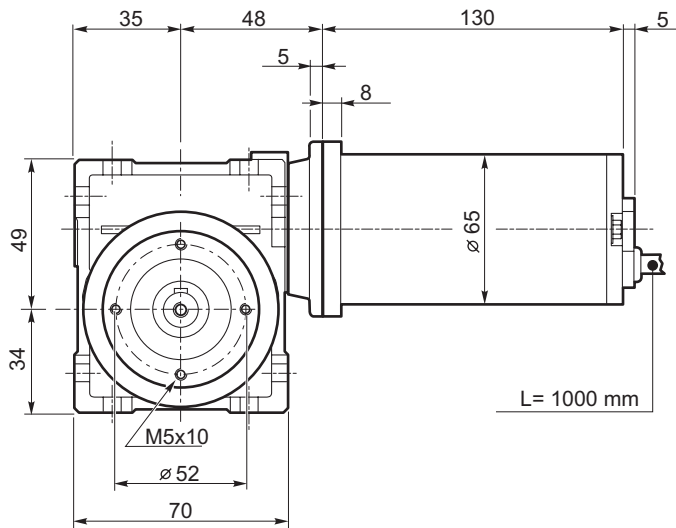
Dimensions

ECWMP070/026/52...U

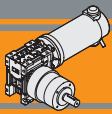


ECWMP070/026/52...C

ECWMP070/026/62...U



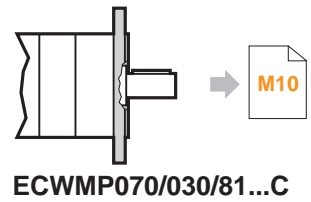
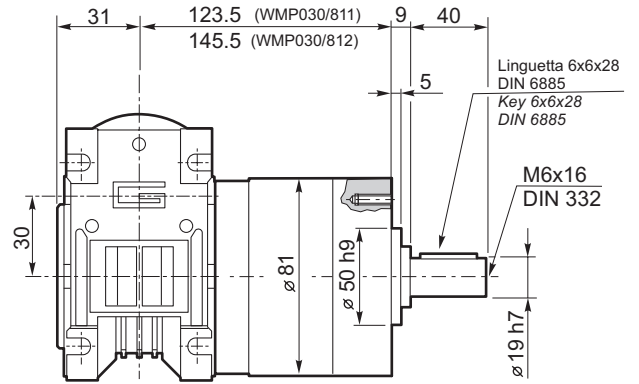
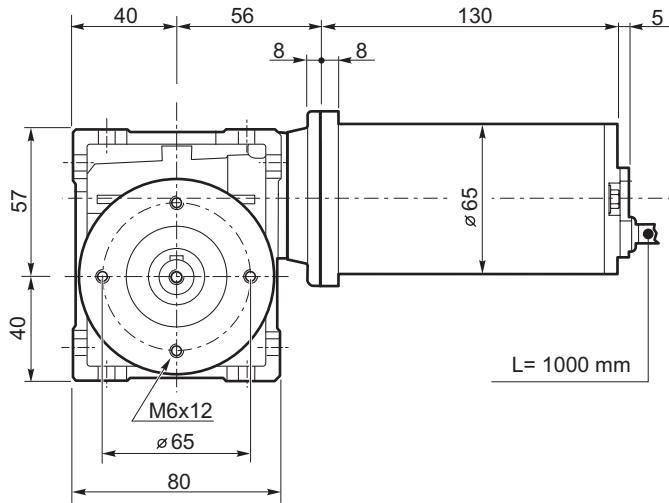
ECWMP070/026/62...C



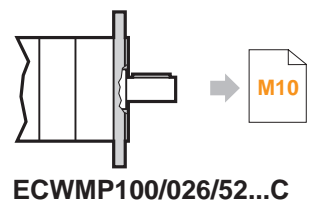
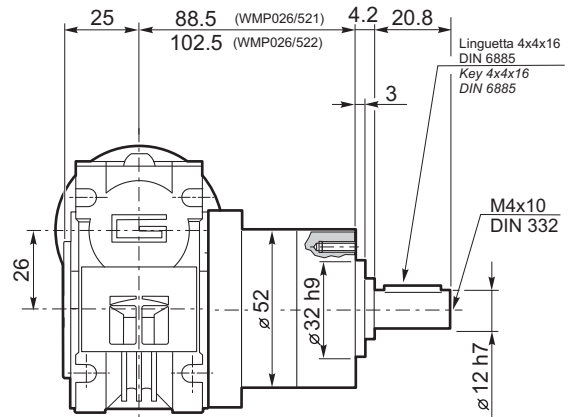
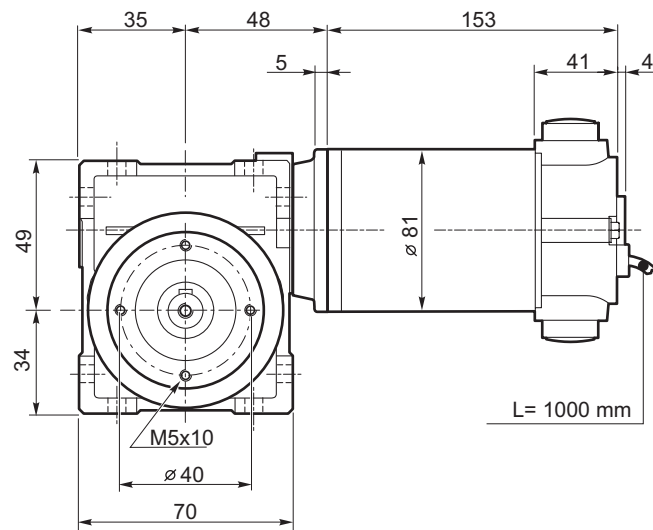
Dimensioni

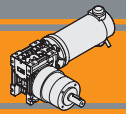
Dimensions

ECWMP070/030/81...U



ECWMP100/026/52...U

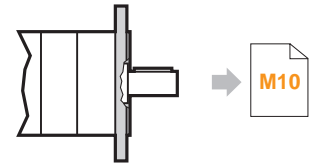
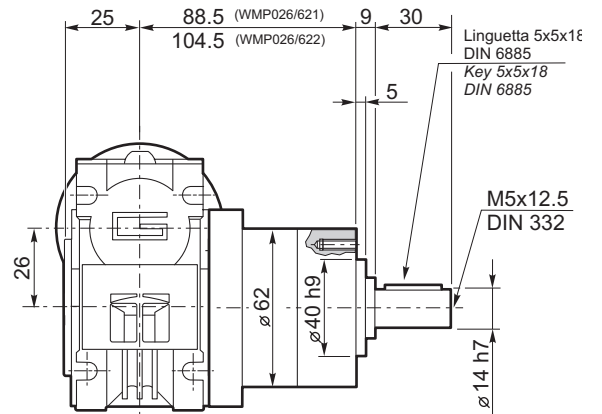
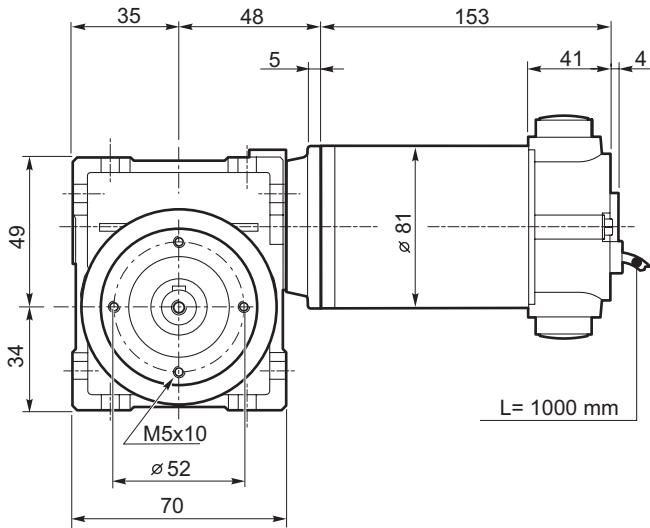




Dimensioni

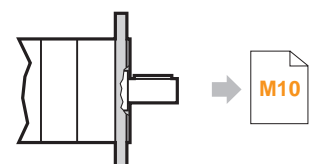
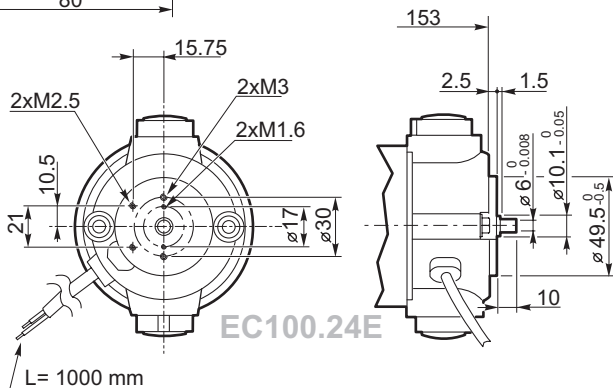
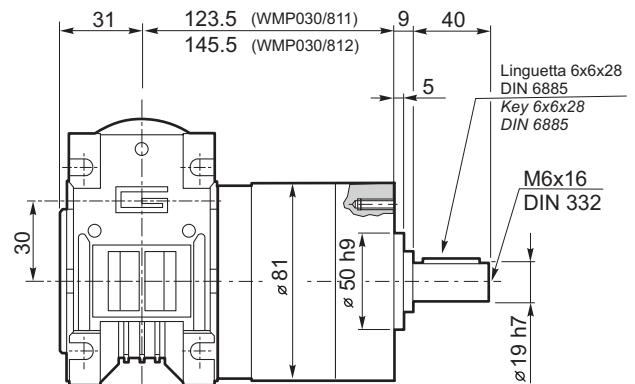
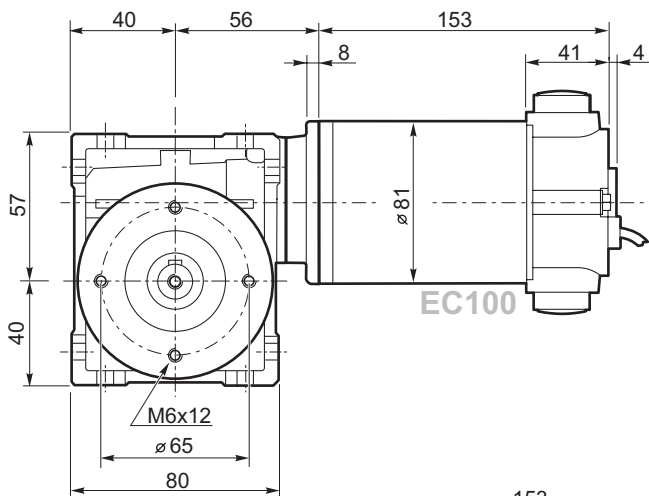
Dimensions

ECWMP100/026/62...U



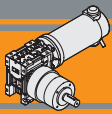
ECWMP100/026/62...C

ECWMP100/030/81...U



ECWMP100/030/81...C

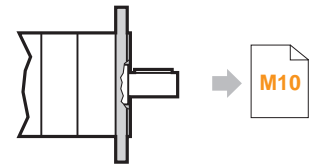
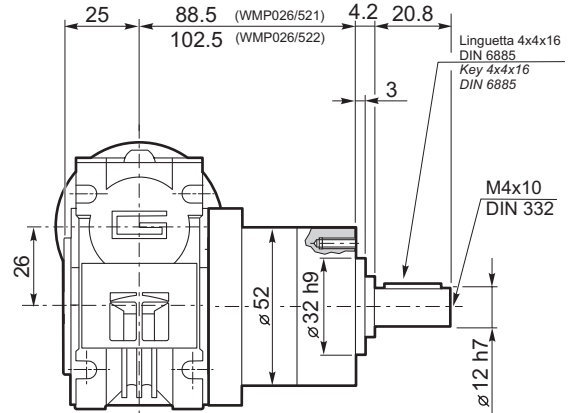
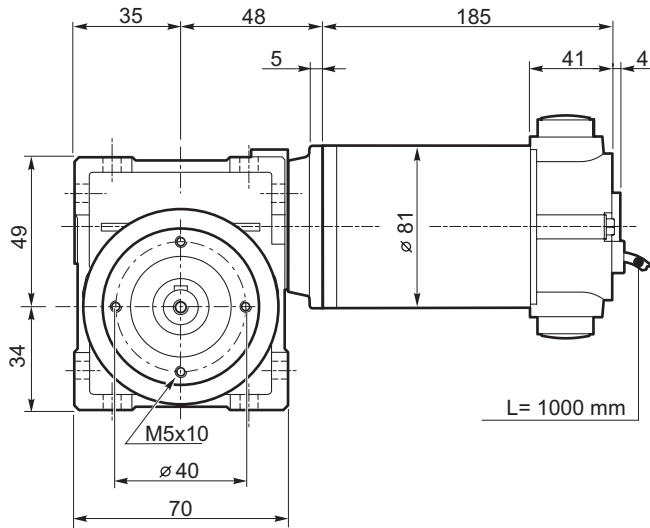
ECWMP



Dimensioni

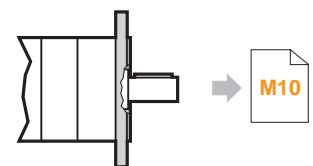
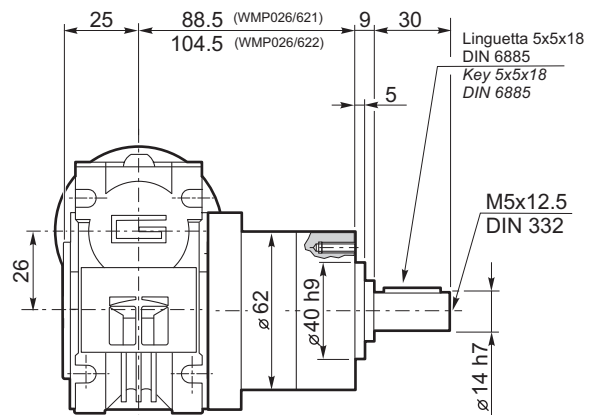
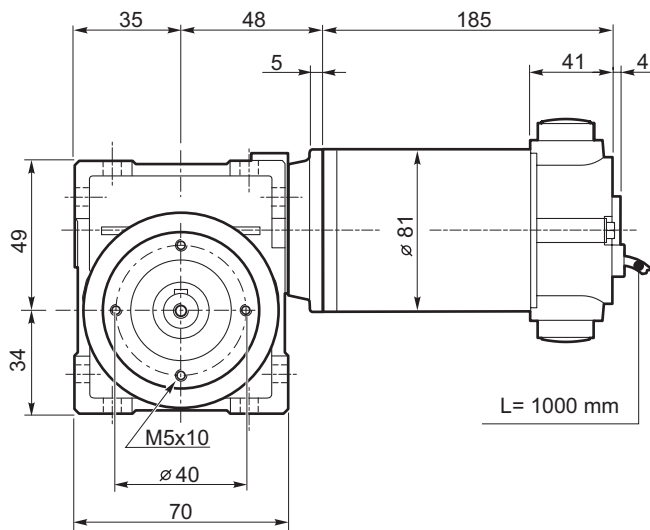
Dimensions

ECWMP180/026/52...U

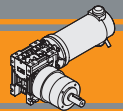


ECWMP180/026/52...C

ECWMP180/026/62...U



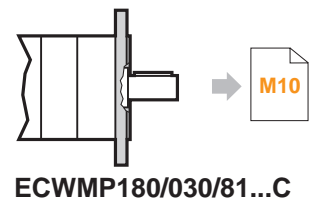
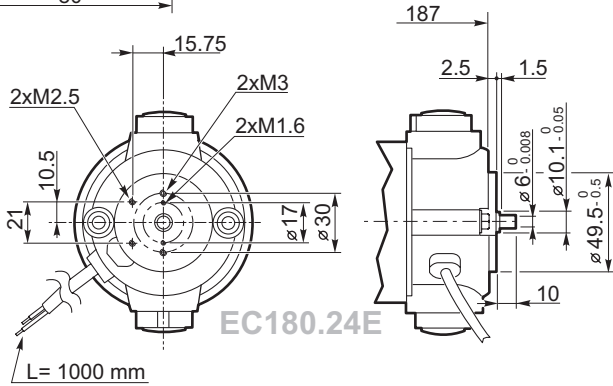
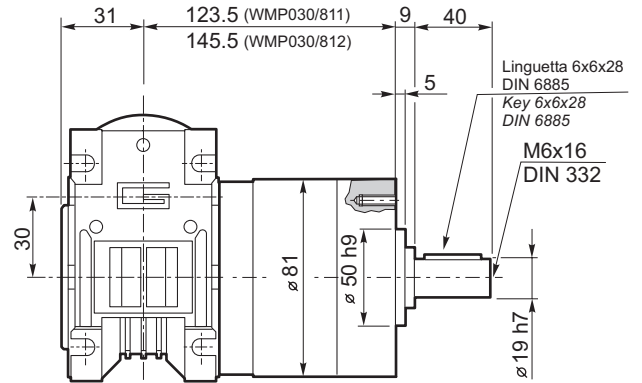
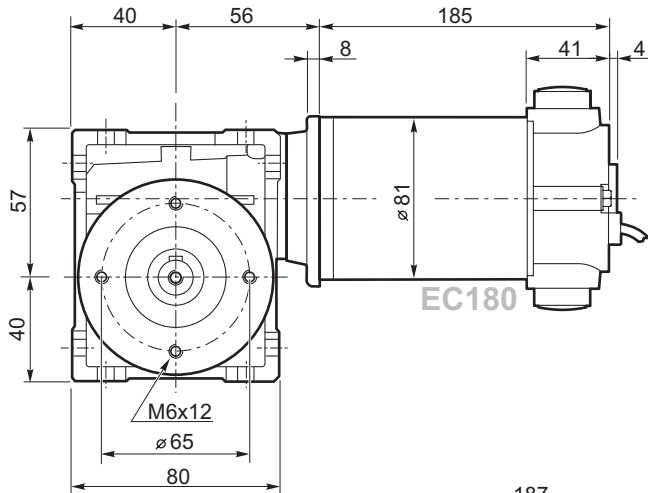
ECWMP180/026/62...C



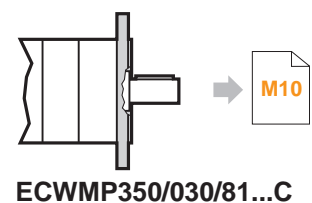
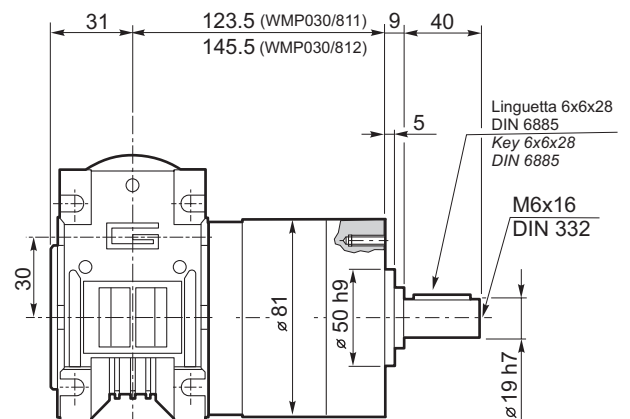
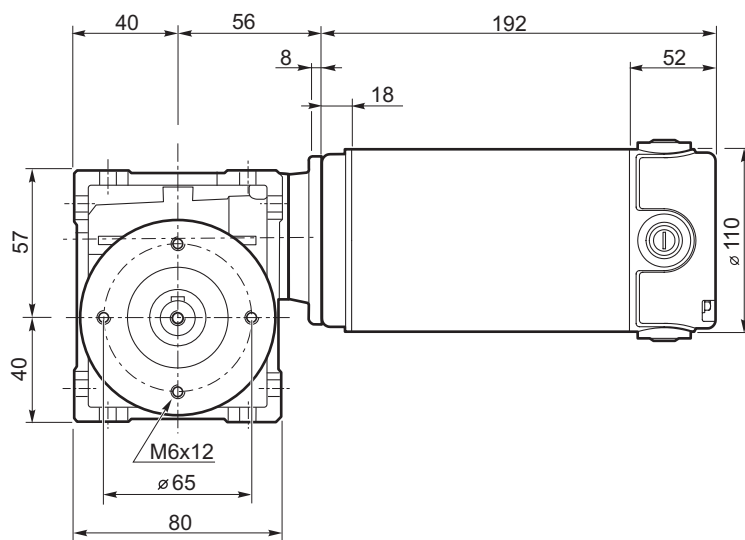
Dimensioni

Dimensions

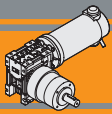
ECWMP180/030/81...U



ECWMP350/030/81...U



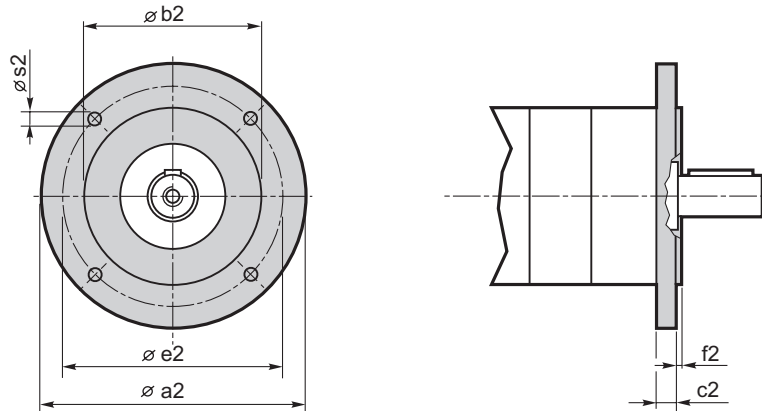
ECWMP



Dimensioni

Dimensions

ECWMP.../.../... C... Flange uscita / Output flanges



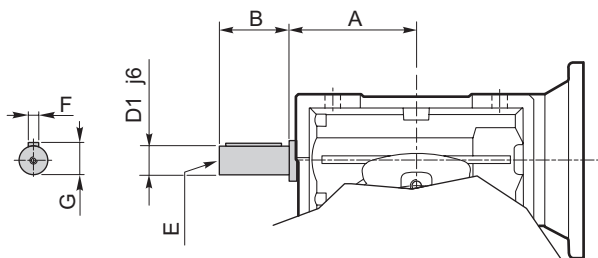
Dimensioni / Dimensions

P	a2	b2	c2	e2	f2	s2	Flangia uscita Output flange
52	80	50 j7	9	65	2.5	M5	C80
	90	60 j7	9	75	2.5	5.5	C90
	105	70 j7	9	85	2.5	6.5	C105
	120	80 j7	9	100	3.0	6.5	C120
62	80	50 j7	9	65	2.5	M5	C80
	90	60 j7	9	75	2.5	5.5	C90
	105	70 j7	9	85	2.5	6.5	C105
	120	80 j7	9	100	3.0	6.5	C120
81	90	60 j7	9	75	2.5	M5	C90
	105	70 j7	9	85	2.5	M6	C105
	120	80 j7	9	100	3.0	6.5	C120

Opzioni

Options

VS - Vite sporgente / Extended input shaft



	A	B	D ₁ j6	E	F	G
CM 030	45	20	9	M4	3	10.2



TRANSTECNO™

THE MODULAR GEARMOTOR

HEADQUARTERS

 TRANSTECNO SRL
Via Caduti di Sabbiuno, 11 D/E
40011 Anzola Emilia (BO) ITALY
Tel. +39.051.6425811
Fax +39.051.734943
info@transtecno.com
www.transtecno.com

SALES OFFICES & WAREHOUSES

 GEARTECNO ITALIA SRL
Via Ferrari, 27/11
41043 Fraz. Corlo, Formigine (MO)
ITALY
Tel. +39.059.557522
Fax +39.059.557439
info@geartecno.com
www.geartecno.com

SALES OFFICES

 SALES OFFICE GERMANY
Schonebeck 99
D-48329 Havixbeck
GERMANY
Tel. +49.(0)2534.644425
Mobile +49.(0)179.1298682
Fax +49.(0)2534.645875
germanoffice@transtecno.com


 SALES OFFICE OCEANIA
Unit 7, 387-393 Old Geelong
Road, Hoppers Crossing,
Victoria 3029
AUSTRALIA
tel. +61.03.9369.9774
Mobile +61.0438.060.997
Fax +61.03.9369.9775
oceaniaoffice@transtecno.com

MANUFACTURING PLANT

 HANGZHOU TRANSTECNO
POWER TRANSMISSIONS CO; LTD
26, No.1 Street
Hangzhou Economic
& Technological
Development Area
Hangzhou, CHINA
Tel. +86.571.86921603
Fax +86.571.86921810
info-china@transtecno.com
www.transtecno.cn

 GEARTECNO HOLLAND B.V.
De Stuwdam 43
ind. terrein Wieken/Vinkenhoef
3815 KM Amersfoort
THE NETHERLANDS
Tel. +31.(0)33.4519505
Fax +31.(0)33.4519506
info@geartecno.nl
www.geartecno.nl

 SALES OFFICE BRAZIL
Rua Vicente da Fontoura
2547/404
Cep. 90640-003
PORTO ALEGRE - RS - BRASIL
tel. +55.51.3251.5447
Fax +55.51.3251.5447
braziloffice@transtecno.com
www.transtecno.com.br

 SALES OFFICE SPAIN
C/Major, Nr.1
17256 Fontclara SPAIN
spainoffice@transtecno.com
www.transtecno.es